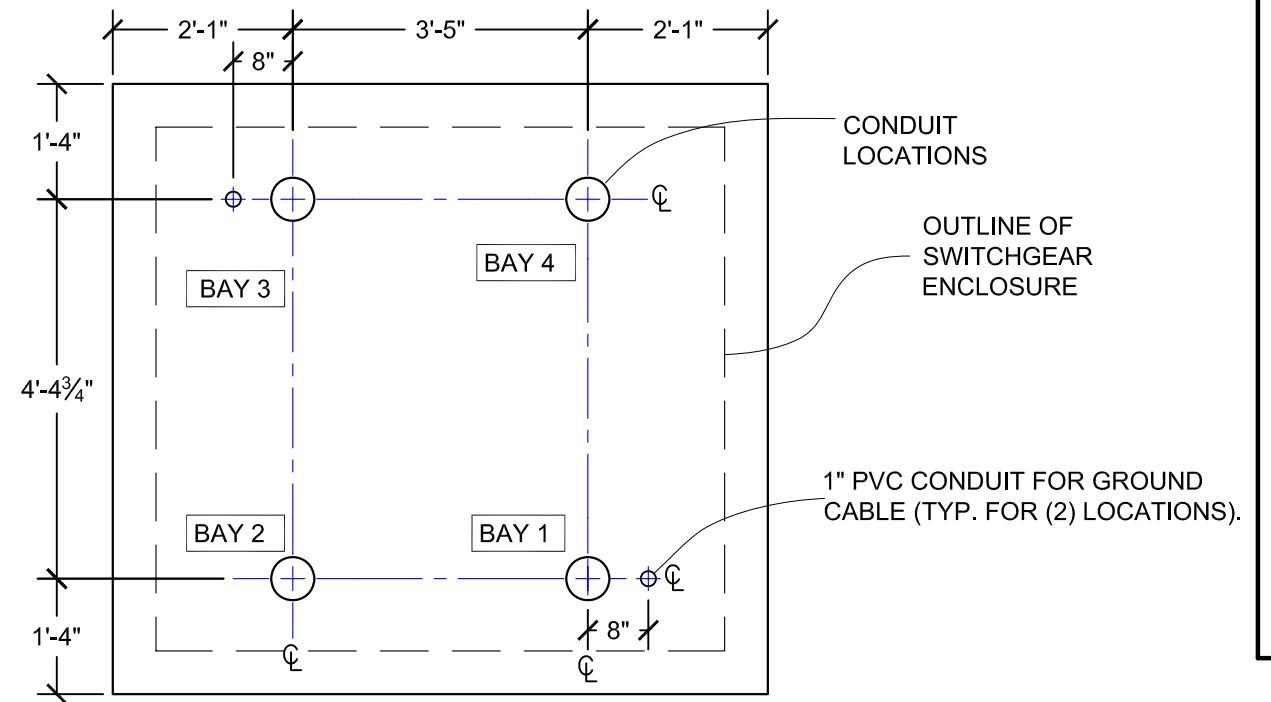
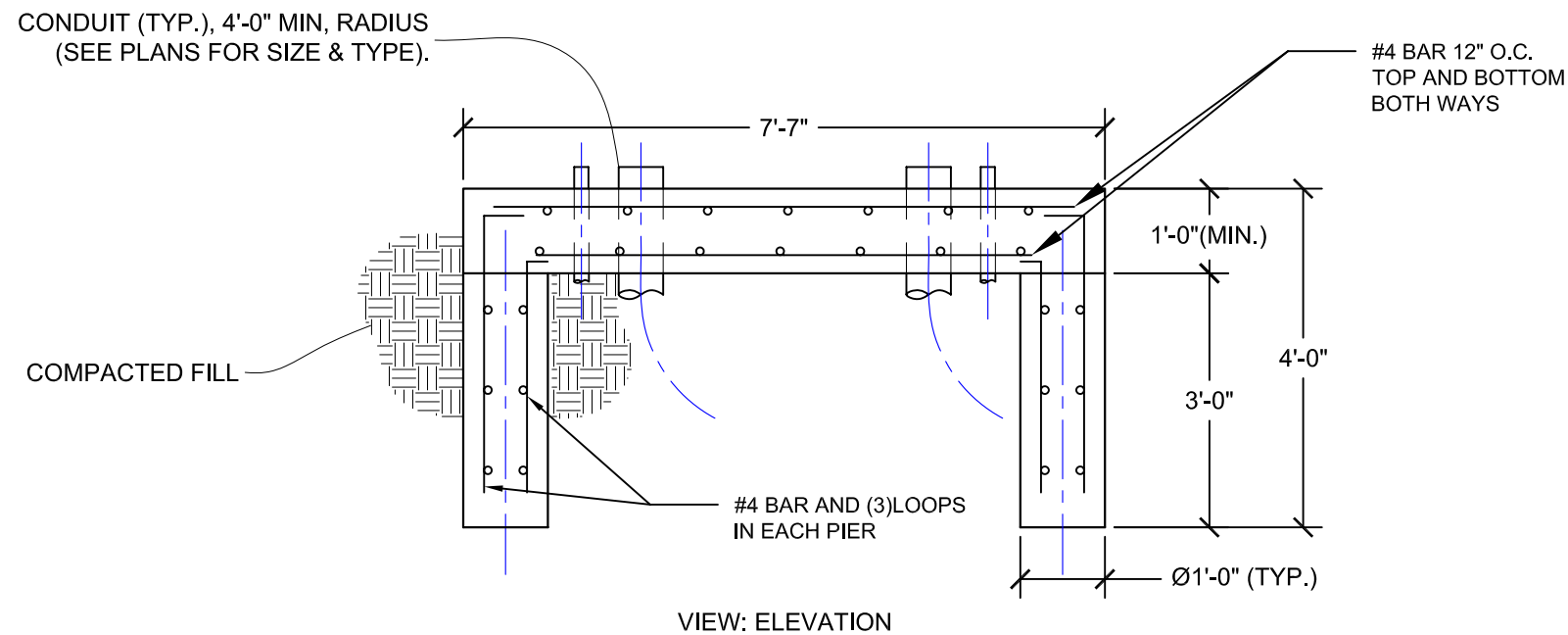


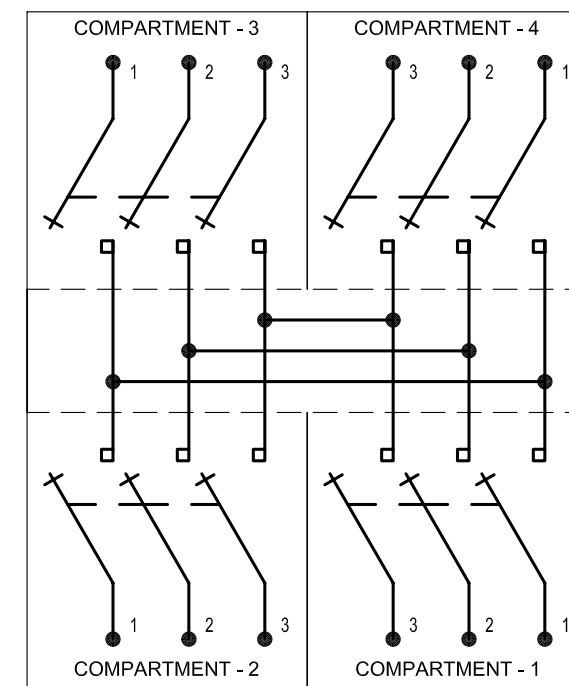
PLAN VIEW: PIER ORIENTATION



PLAN VIEW: CONDUIT LOCATIONS



VIEW: ELEVATION



PMH-10 CONNECTION DIAGRAM

MATERIAL NOTES:

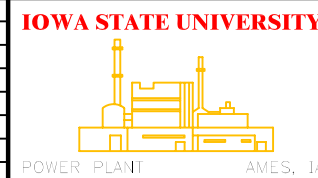
CONCRETE:
28 DAY STRENGTH - 4000 PSI
COARSE AGGREGATE - 1" LIMESTONE
AIR ENTRAINING - 5% TO 7%

CONCRETE REINFORCEMENT:
ASTM A615 GRADE 60.

NOTES:

CONCRETE PAD MINIMUM 6" ABOVE FINISHED GROUND AND LEVEL.
ADJUST THICKNESS TO ACCOMODATE GRADING

ENGR: RKL		DATE: 8/28/2009	
#	Date	Revision	By
SCALE = NTS			



**FACILITIES PLANNING
&
MANAGEMENT
UTILITY SERVICES**

DWG. TITLE: SWITCHGEAR S&C PMH 10	
TYPE: CONCRETE DETAIL	
DWG. NO.: EU-3_PMH 10 SWGR FOUNDATION	REV.:
SHEET: 1 OF 1	

DWG. TITLE: **SWITCHGEAR S&C PMH 10**

TYPE: **CONCRETE DETAIL**

DWG. NO.: EU-3_PMH 10 SWGR FOUNDATION

REV.:

SHEET: 1 OF 1